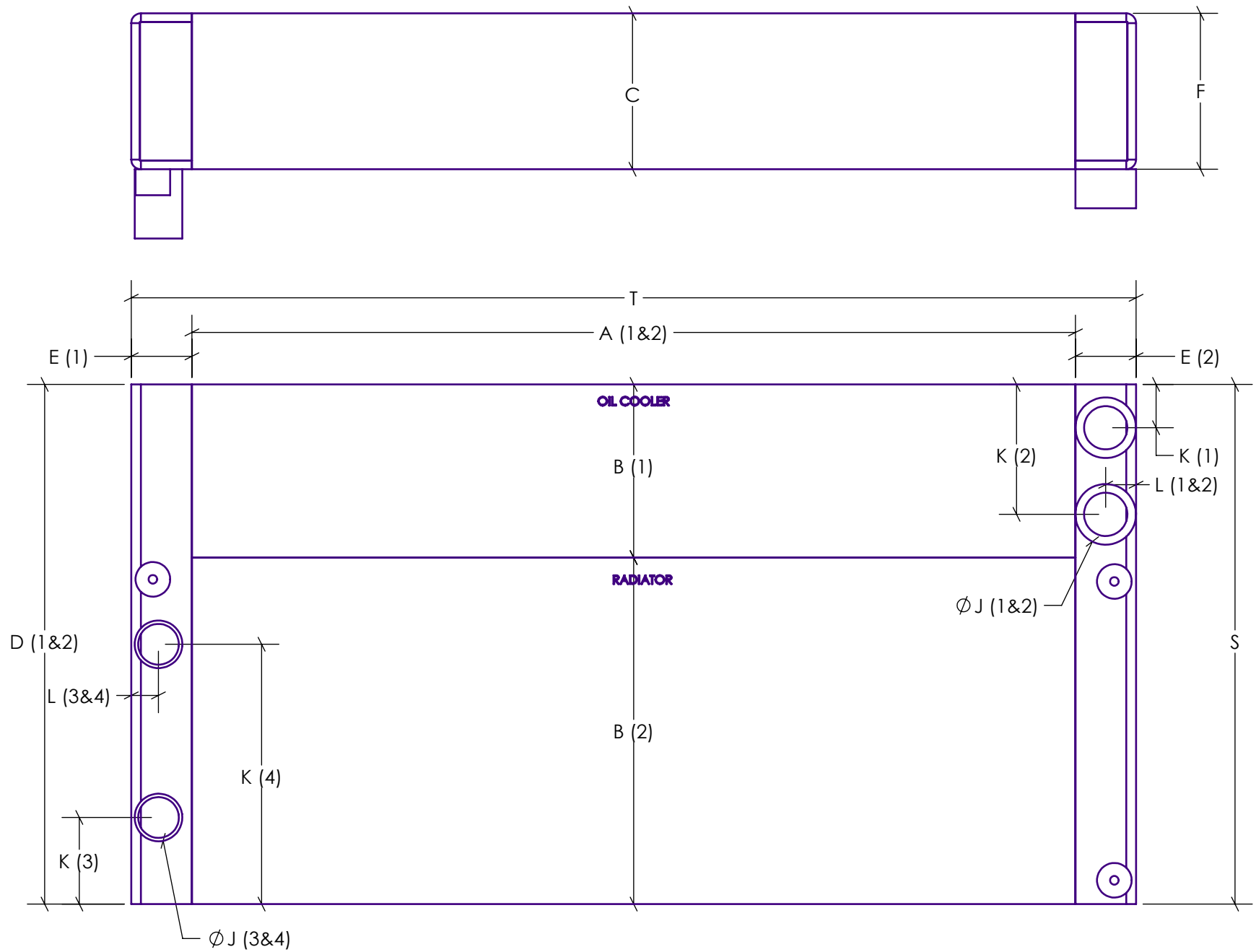
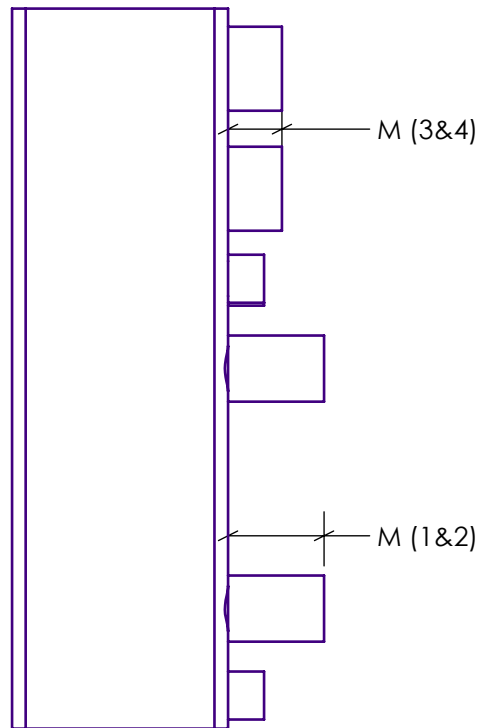


THREAD SIZES = (EXAMPLE: 3/8-16 THREADED INSERTS)		
LOCATION ON RADIATOR	SIZE (EX 3/8)	PITCH (EX -16)



RADIATOR SUPPLY HOUSE INC. RAD/CAC UNIT CROSS FLOW
 SWEET HOME, OREGON
 RADIATORSUPPLYHOUSE.COM
 1-888-325-1775



PROPRIETARY AND CONFIDENTIAL
 THE INFORMATION CONTAINED IN THIS
 DRAWING IS THE SOLE PROPERTY OF
 RADIATOR SUPPLY HOUSE INC. ANY
 REPRODUCTION IN PART OR AS A WHOLE
 WITHOUT THE WRITTEN PERMISSION OF
 RADIATOR SUPPLY HOUSE INC. IS
 PROHIBITED.

CORE	RIGHT TANK	LEFT TANK	SIDE RAILS	RIGHT TANK HOSE CONNECT	LEFT TANK HOSE CONNECT	FILLER NECK	PETCOCK/DRAIN	OIL COOLER	OVERALL MEASUREMENTS	CUSTOMER SIGNATURE OF APPROVAL: DATE: _____
A=	D=	D=	G=	ØJ(1)=	ØJ(2)=	ØO=	YES/NO (CIRCLE ONE)	YES/NO (CIRCLE ONE)	T=	
B=	E=	E=	H=	K(1)=	K(2)=	P=	R= S=	LOCATION:	U=	
C=	F=	F=	I=	L(1)=	L(2)=	Q=	LOCATION:		V= (SIDE RAIL WIDTH)	
				M(1)=	M(2)=					