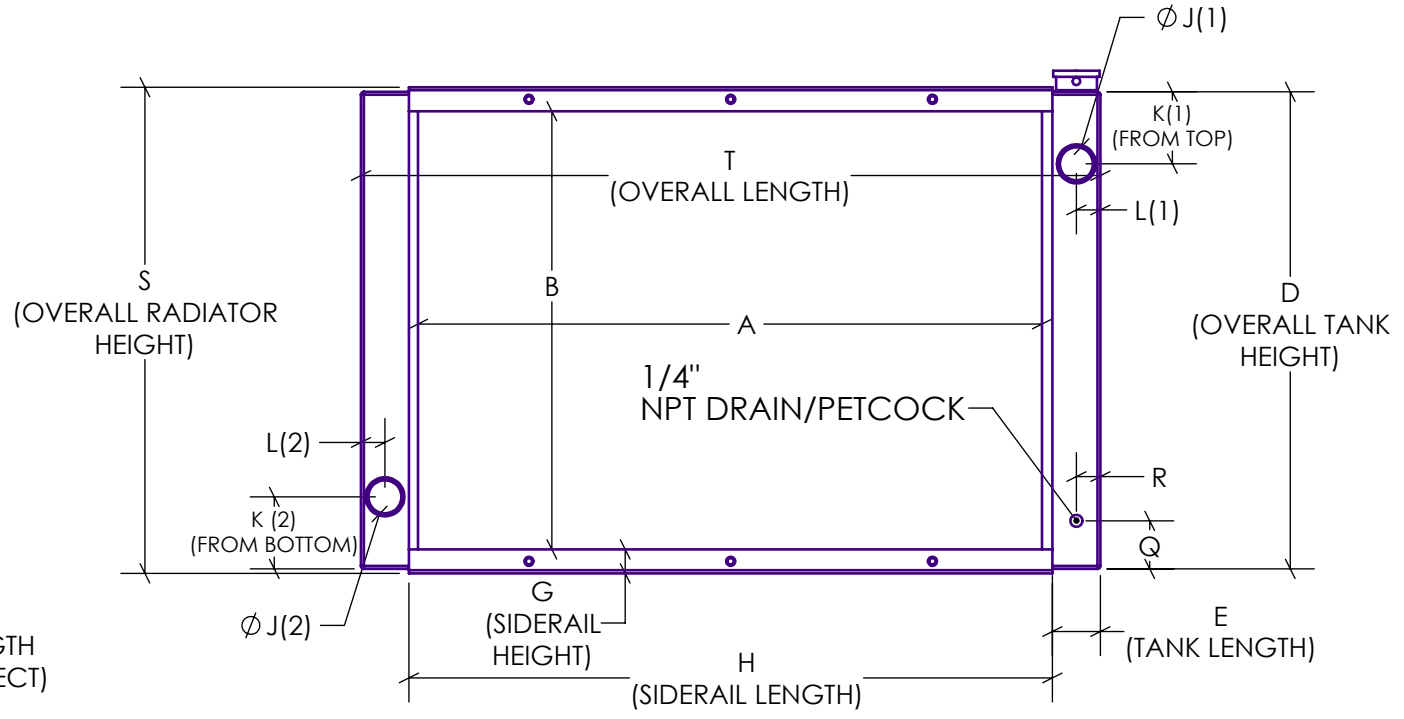
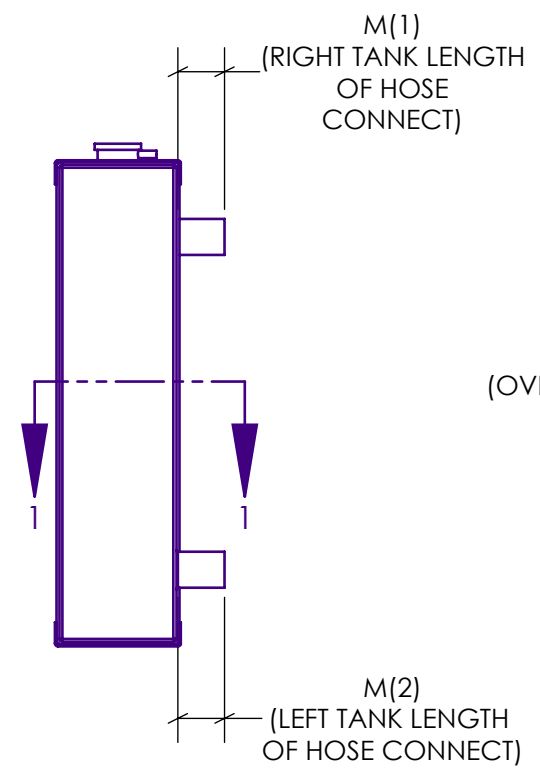
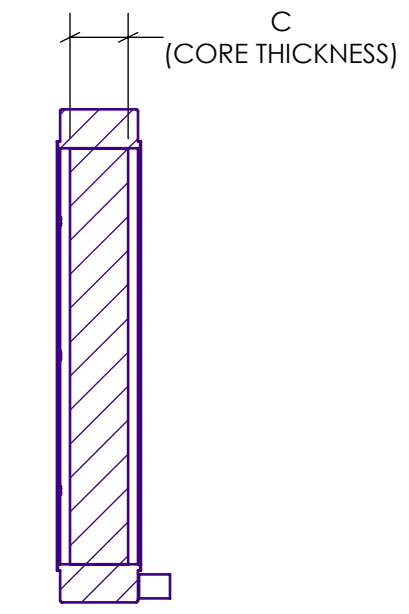
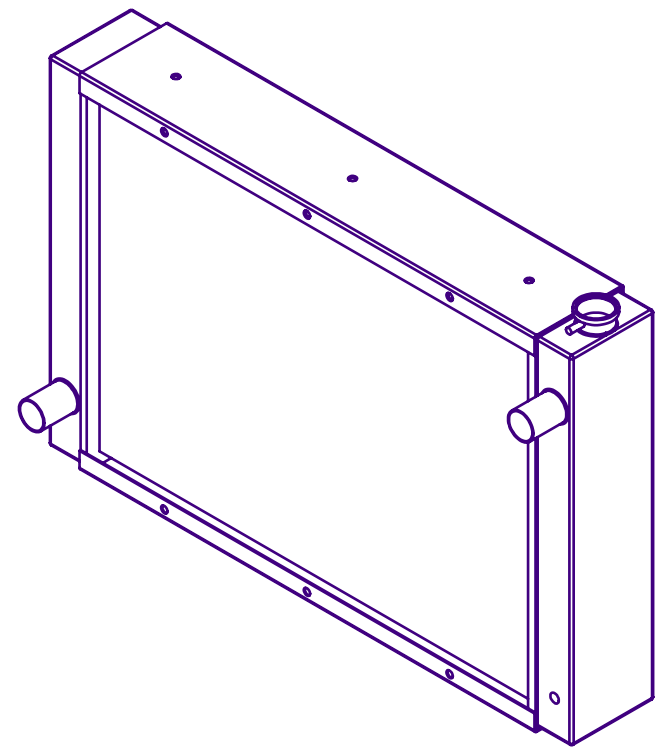
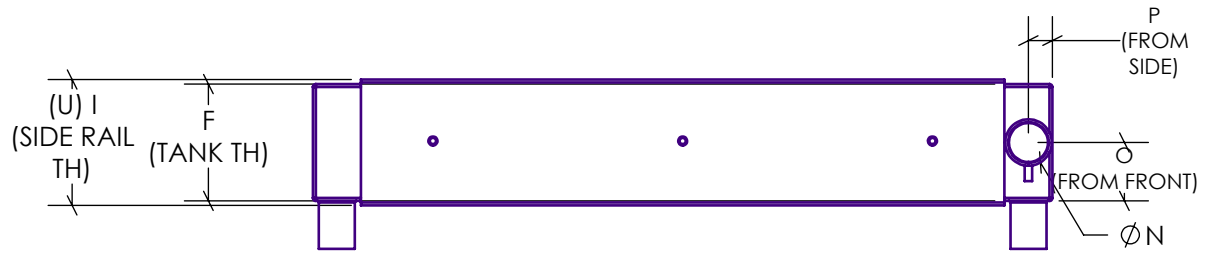


THREAD SIZES = (EXAMPLE: 3/8-16 THREADED INSERTS)		
LOCATION ON RADIATOR	SIZE (EX 3/8)	PITCH (EX -16)



RADIATOR SUPPLY HOUSE INC. RADIATOR CROSS FLOW UNIT

SWEET HOME, OREGON
RADIATORSUPPLYHOUSE.COM
1-888-325-1775



PROPRIETARY AND CONFIDENTIAL
THE INFORMATION CONTAINED IN THIS DRAWING IS THE SOLE PROPERTY OF RADIATOR SUPPLY HOUSE INC. ANY REPRODUCTION IN PART OR AS A WHOLE WITHOUT THE WRITTEN PERMISSION OF RADIATOR SUPPLY HOUSE INC. IS PROHIBITED.



CORE	RIGHT TANK	LEFT TANK	SIDE RAILS	RIGHT TANK HOSE CONNECT	LEFT TANK HOSE CONNECT	FILLER NECK	PETCOCK/DRAIN	OIL COOLER	OVERALL MEASUREMENTS	CUSTOMER SIGNATURE OF APPROVAL:
A=	D=	D=	G=	ØJ(1)=	ØJ(2)=	ØN=	YES/NO (CIRCLE ONE)	YES/NO (CIRCLE ONE)	S=	DATE: _____
B=	E=	E=	H=	K(1)=	K(2)=	O=	Q= R=	LOCATION:	T=	
C=	F=	F=	I=	L(1)=	L(2)=	P=	LOCATION:	U= (SIDE RAIL WIDTH)		
				M(1)=	M(2)=					